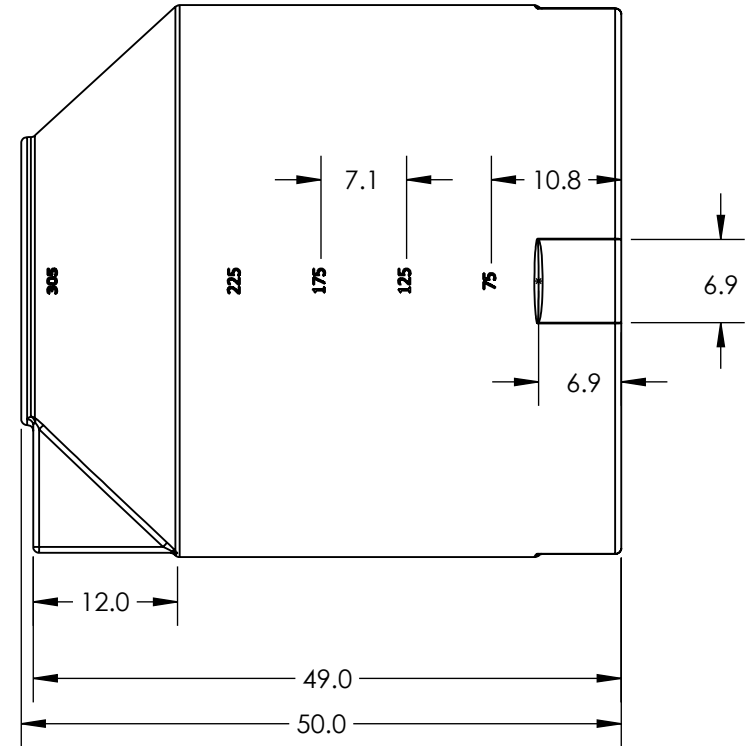
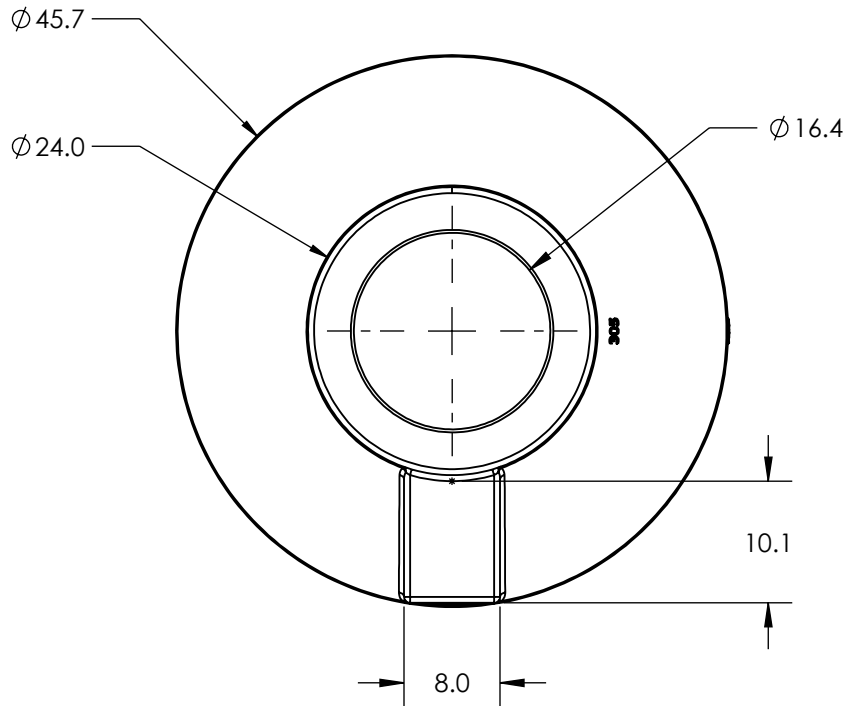


FITTING  
FLATS TYP  
4 PLCS



\*ALL EXTERNAL PIPING MUST BE INDEPENDENTLY SUPPORTED.  
 \*ONLY BASE FITTINGS TO BE LEFT INSTALLED AT TIME OF SHIPMENT PER THC PROCEDURE.  
 ALL DIMENSIONS ARE IN INCHES, NOMINAL, & SUBJECT TO CHANGE WITHOUT NOTICE.  
 ALL DIMENSIONS ON ROTATIONAL MOLDED PARTS ARE SUBJECT TO A  $\pm 3\%$  TOLERANCE.

DO NOT SCALE		DRAWN BY	 A BRAND OF TANK HOLDING CORP.	TITLE:	REVISION
STATUS: <b>Released</b>		BNC		<b>305 GALLON VERTICAL TANK</b>	<b>A</b>
© TANK HOLDING, CORP, 2024			NORWESCO, INC. SAINT BONIFACIUS, MN 800-328-3420 <a href="http://www.norwesco.com">www.norwesco.com</a>		PART NO.
				<b>40302</b>	1 OF 1
				ENG. ID.	
				<b>P026031</b>	