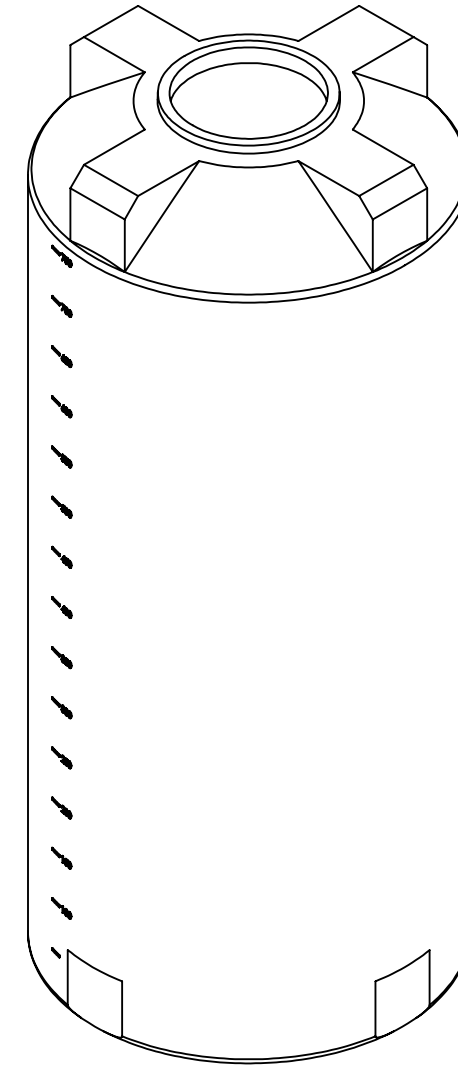
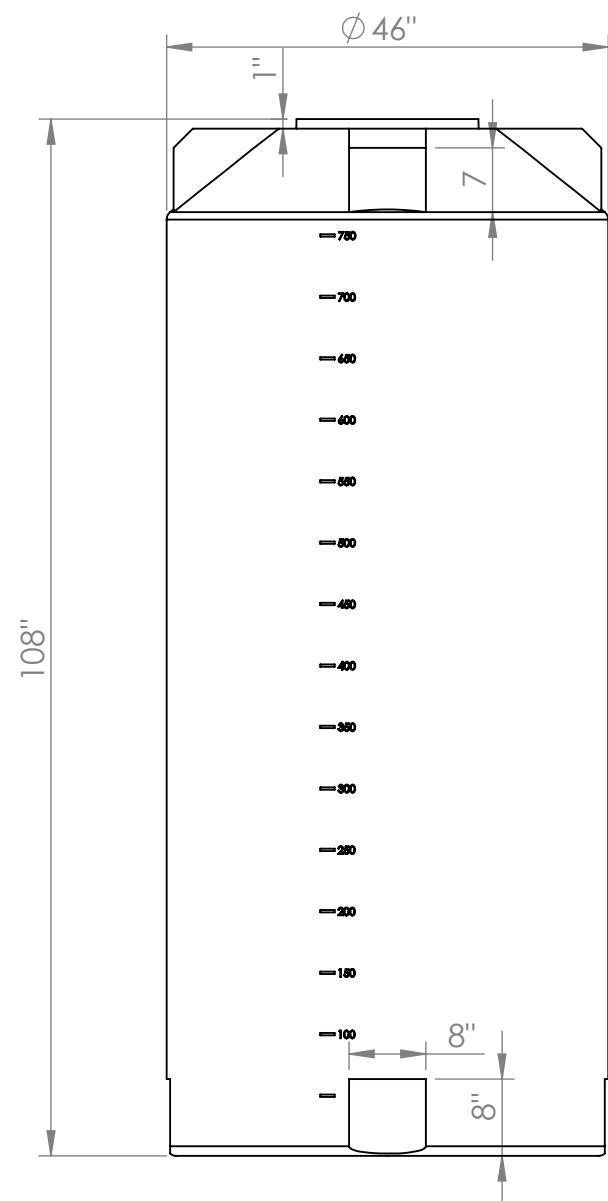
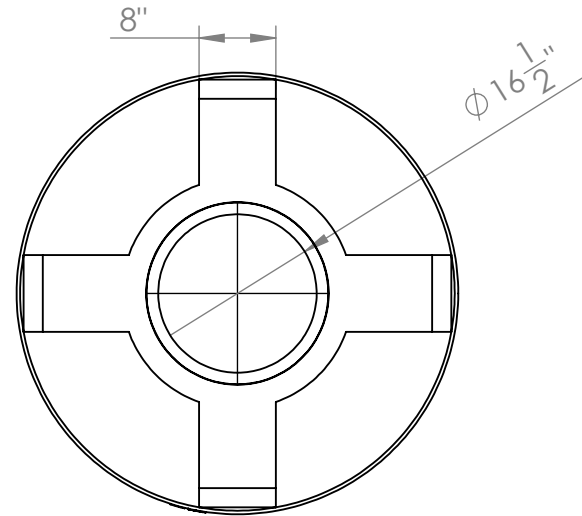



8 7 6 5 4 3 2 1

D
C
B
A

D
C
B
A



| | | | | |
|--------------------------------------|--|-----------|--------------------|---|
| UNLESS OTHERWISE SPECIFIED: | | NAME | DATE |  NORWESCO Burnet, Texas |
| DIMENSIONS ARE IN INCHES | | DRAWN | C. Pearson 09/2021 | |
| TOLERANCES: | | CHECKED | | |
| FRACTIONAL ± | | ENG APPR. | - | |
| ANGULAR: MACH ± BEND ± | | MFG APPR. | | |
| TWO PLACE DECIMAL ± | | Q.A. | | TITLE: 750 gallon vertical tank, 46" diameter |
| THREE PLACE DECIMAL ± | | COMMENTS: | | |
| INTERPRET GEOMETRIC TOLERANCING PER: | | | | SIZE |
| MATERIAL | | | | DWG. NO. |
| PE High Density | | | | REV |
| FINISH | | | | |
| DO NOT SCALE DRAWING | | | | SHEET 1 OF 1 |

8 7 6 5 4 3 2 1